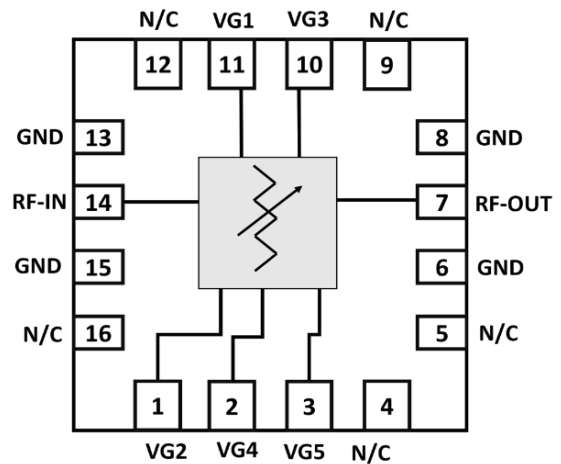


Features:

- RF Frequency: DC-07 GHz
- Insertion Loss: 2.22 dB, 3.22 dB, 5.82 dB, 7.69 dB
- Input Return Loss: 15.14 dB, 16.74 dB, 18.77 dB, 22.55 dB
- Output Return Loss: 14.90 dB, 12.22 dB, 16.67 dB, 14.85 dB
- Control voltage: 4 V / - 4 V
- 0.1um GaAs pHEMT Technology
- Die Size: 0.9 mm*1.45 mm

Functional Block Diagram



Description:

RFDVA07 is Digital Variable Attenuator operates from DC-07 GHz and it is used to drive the Lowest insertion loss Attenuator. The Attenuator provides Insertion Loss at 0 dB, 3 dB, 6 dB, 9 dB the input and output are matched to 50 ohms with on-chip DC blocking capacitors.

The device is specifically designed for use in DC-32 GHz frequency in Bluetooth, Zigbee, WiFi, IoT and SATCOM Application.

The Technology used to design Digital Variable Attenuator is 0.1um GaAs pHEMT Process.

Pin Configuration

Pin No.	Pin Name	Description
6,8,13,15	GND	Ground
11	VG1	Control Voltage
1	VG2	Control Voltage
10	VG3	Control Voltage
2	VG4	Bias Voltage
3	VG5	Bias Voltage
4,5,9,12,16	N/C	Not Connected
14	RF-IN	RF Input
7	RF-Out	RF Out put

Applications:

- Military telemetry
- Radio astronomy
- GPS
- Weather radar
- Long-distance radio telecommunications

Deliverables:

- Packaged ready Die
- Test Results
- Product Datasheet

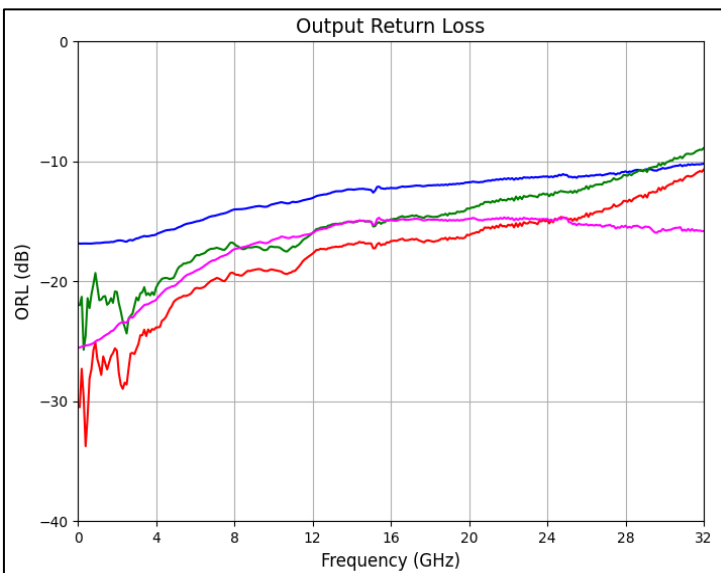
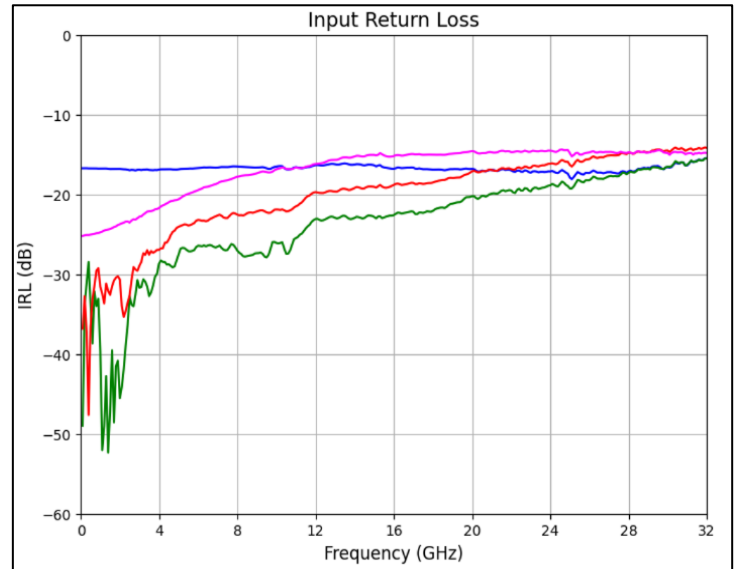
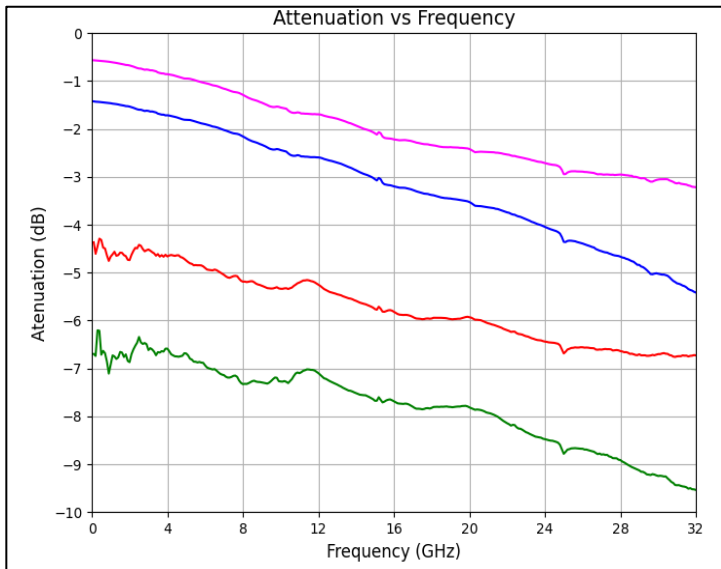
Electrical Specification:

Freq= DC – 32 GHz, VCC = 4V/-4V, Zo=50 Ω

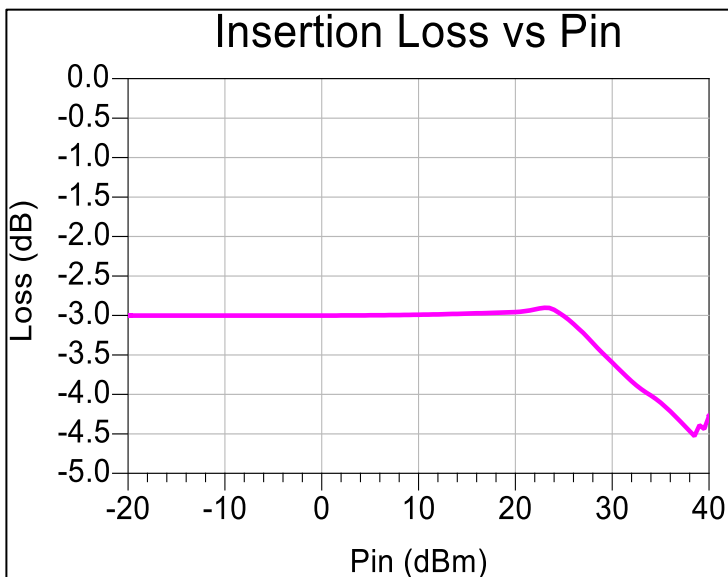
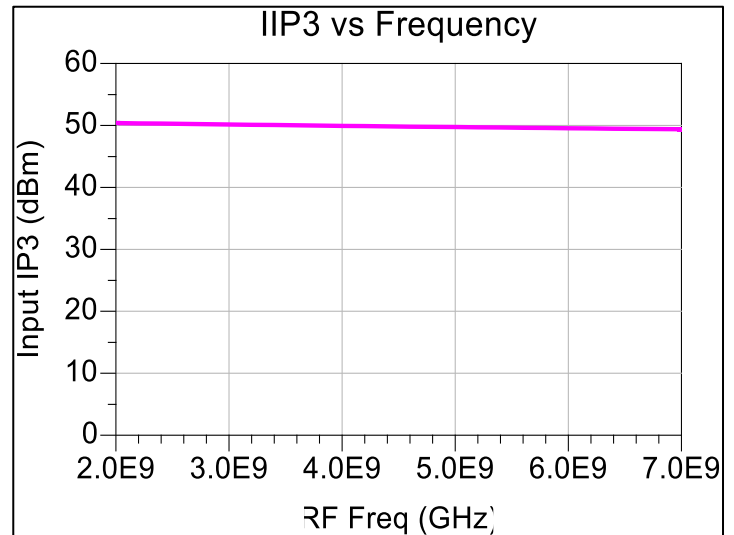
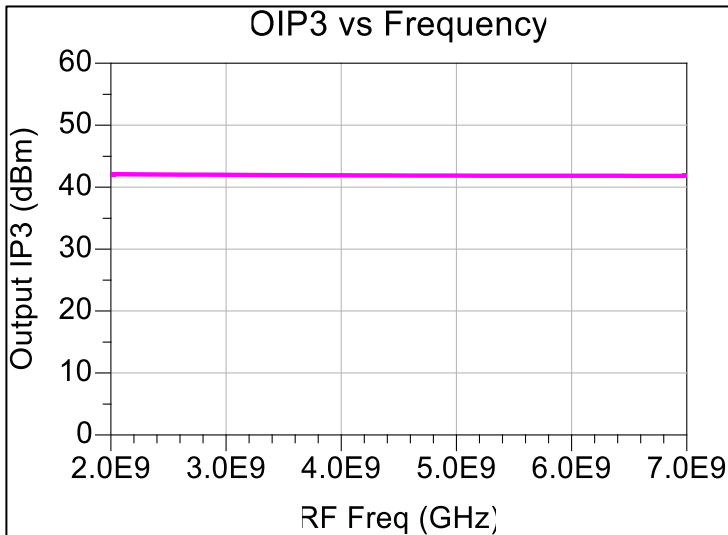
Parameters	Frequency	Units	Typ
Insertion Loss	16 GHz	dB	2.22
			3.22
			5.82
			7.69
Input Return Loss	16 GHz	dB	15.14
			16.74
			18.77
			22.55
Output Return Loss	16 GHz	dB	14.90
			12.22
			6.67
			14.85
OIP3	4 GHz	dBm	42
IIP3	4 GHz	dBm	50
Drain Current (Id)	-	mA	---
Control Voltage (VCC)	-	V	4 / -4
Gate Voltage (VGG)	-	V	-

On Wafer Testing Performance Curves:

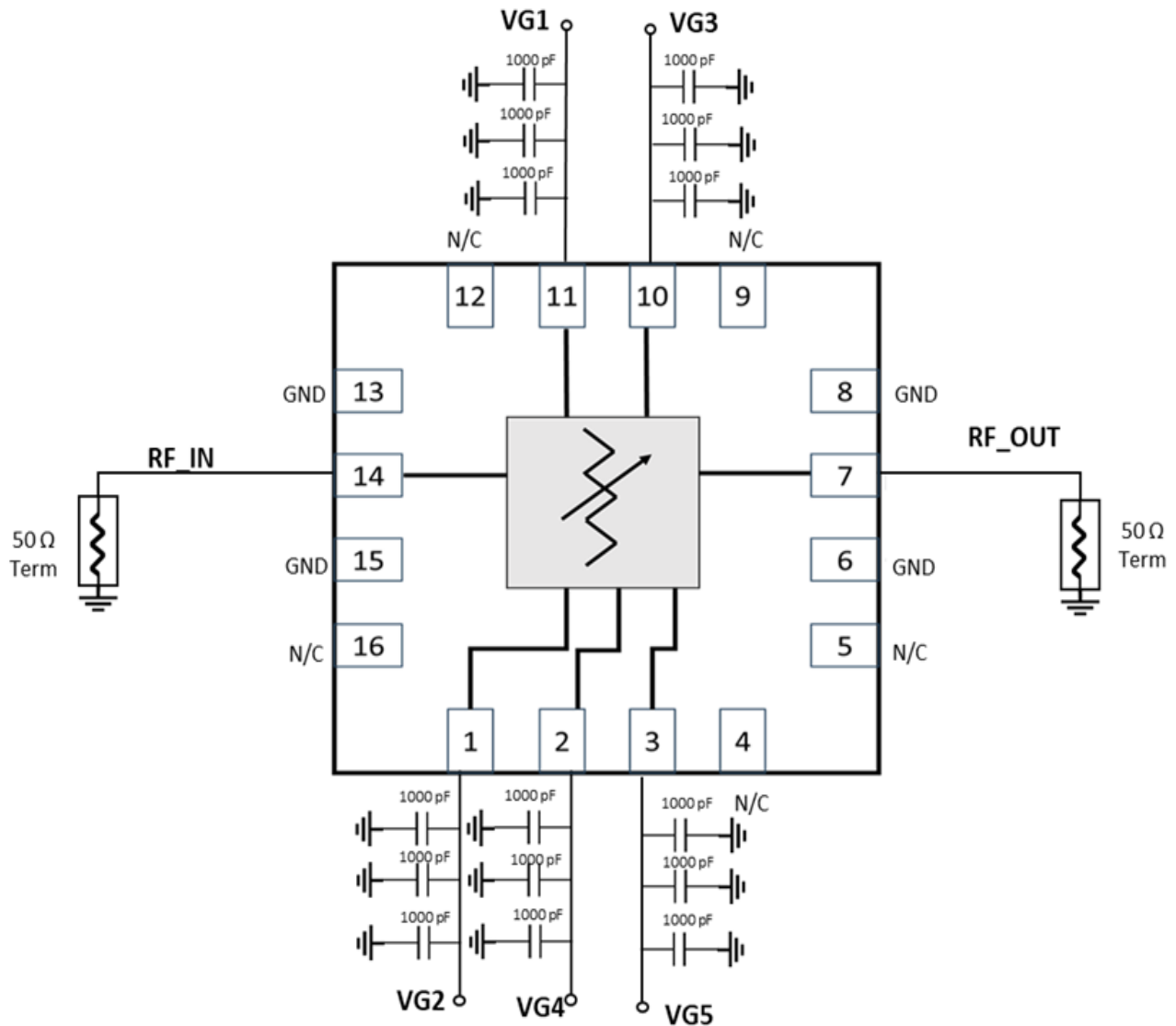
— 0 dB — 3 dB — 6 dB — 9 dB



Typical Performance Curves:



Application Diagram:



Disclaimer:

Information in this document is provided in connection with Millimeter Chips Pvt. Ltd. products. These materials are provided by Millimeter Chips Pvt. Ltd. as a service to its customers and may be used for informational purposes only. Except as provided in Millimeter Chips Pvt. Ltd. Terms and Conditions of Sale for such products or in any separate agreement related to this document, Millimeter Chips Pvt. Ltd. assumes no liability whatsoever. Millimeter Chips Pvt. Ltd. assumes no responsibility for errors or omissions in these materials. Millimeter Chips Pvt. Ltd. may make changes to specifications and product descriptions at any time, without notice. Millimeter Chips Pvt. Ltd. makes no commitment to update the information and shall have no responsibility whatsoever for conflicts or incompatibilities arising from future changes to its specifications and product descriptions. No license, express or implied, by estoppels or otherwise, to any intellectual property rights is granted by this document.

Contact information:

For the latest specifications, additional product information:

Web: www.millimeterchips.co.in

Email: smoghe@rficsolutions.com

Tel: (+1) 840 356 8957, (+91)9022078131, (+91)8485841789